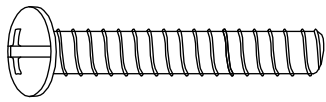


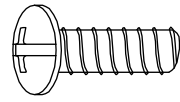
!!PLEASE READ!!: Assembly of this furniture is easier with two people. Assemble furniture on debris free carpets or on the enclosed foam sheets to prevent scratching of finish. Do not overtighten screws.

WARNING: USING ANY POWER TOOLS TO ASSEMBLE THIS FURNITURE MAY POTENTIALLY STRIP THE WOOD. DO NOT USE.

HARDWARE



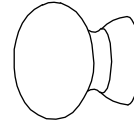
(H1) 1 3/8 Machine Bolt x 16



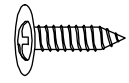
(H2) 5/8 Bolt x 24



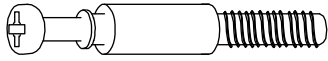
(H3) 1 1/8 Knob Screw x 4



(H4) Knob x 4



(H5) 1/2 Wood Screw x 19



(H6) Cam Bolt x 4



(H7) Cam Lock x 4



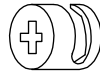
(H8) 1 1/4 Wood Screw x 8



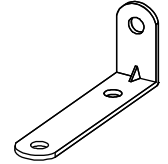
(H9) 1/2 Wood Screw x 24



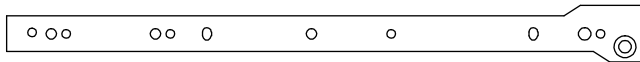
(H10) SmallCam Bolt x 8



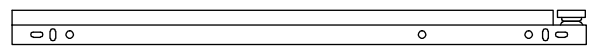
(H11) SmallCam Lock x 8



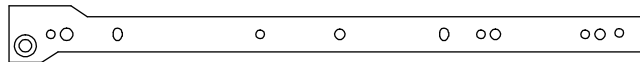
(H12) Brackets x 8



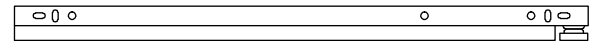
(H13) Right Panel Glide x 2



(H15) Right Drawer Glide x 2



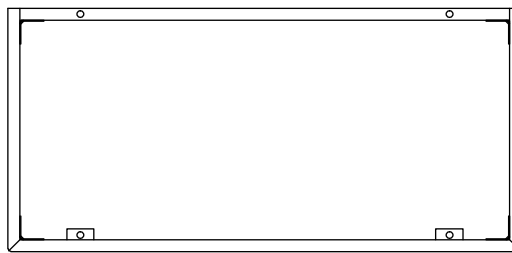
(H14) Left Panel Glide x 2



(H16) Left Drawer Glide x 2



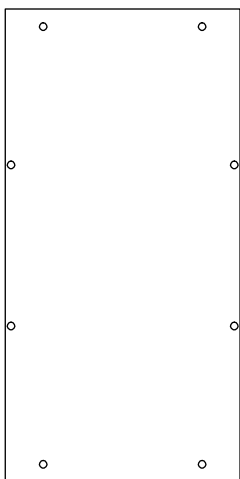
(A) Dresser Top x 1



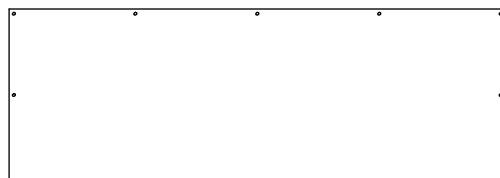
(B) Base x 1



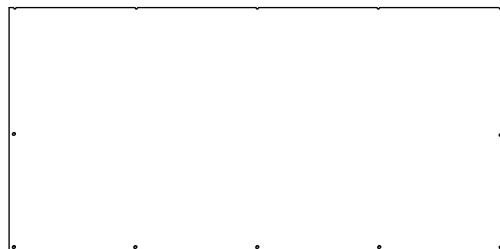
(C) Support x 2



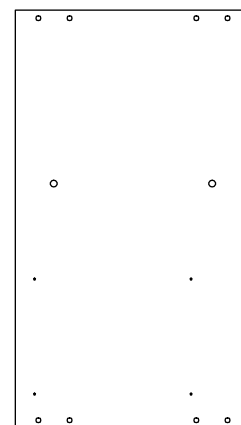
(D) Shelf x 1



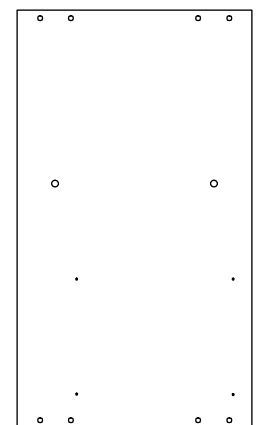
(E) Top Back Panel x 1



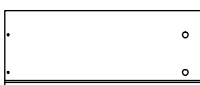
(F) Bottom Back Panel x 1



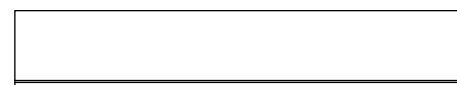
(G) Left End Panel x 1



(I) Right End Panel x 1



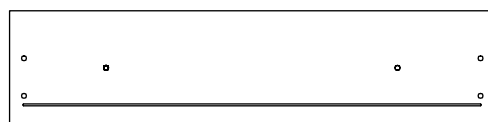
(J) Right Drawer Panel x 2



(O) Back Drawer Panel x 2



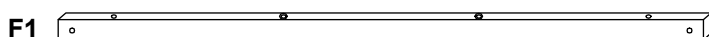
(K) Left Drawer Panel x 2



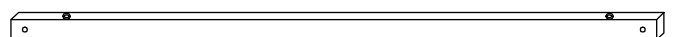
(P) Front Drawer Panel x 2



(Q) Bottom Drawer Panel x 2

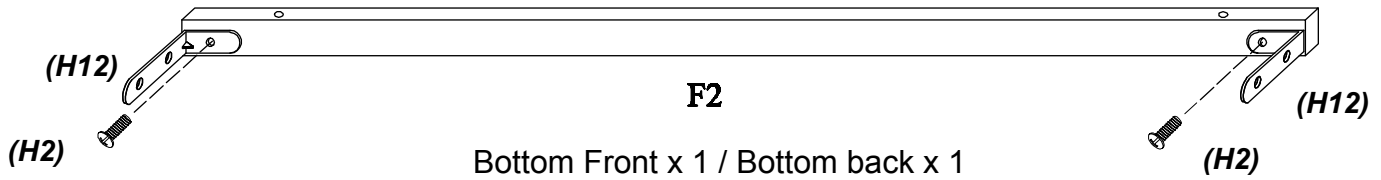
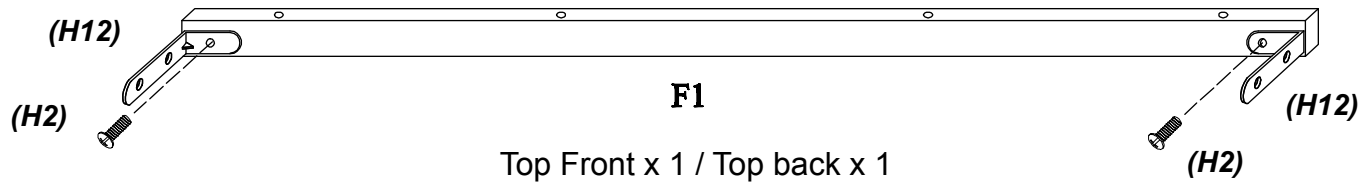


F1 Top Front x1, Back x 1

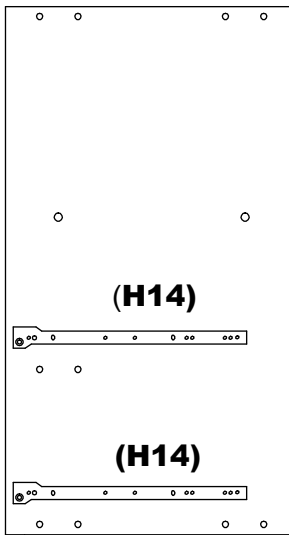


F2 Bottom Front x1, back x 1

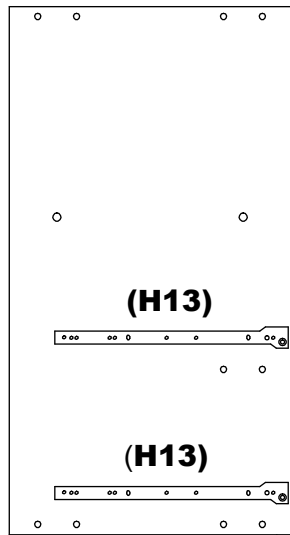
1.) Install brackets on cross bars



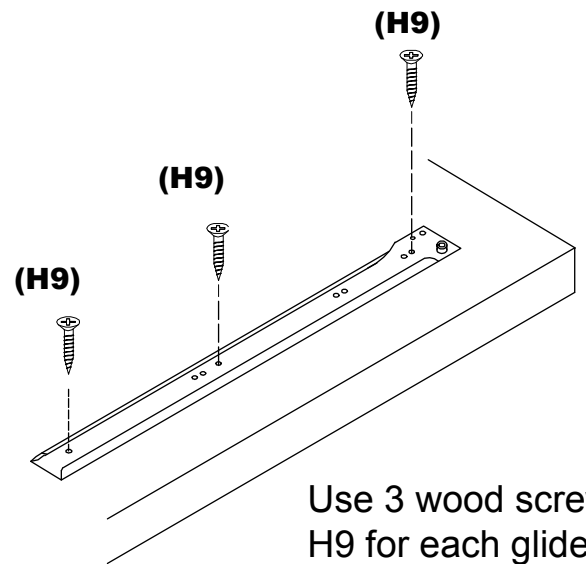
2.) Attach glides to the panels



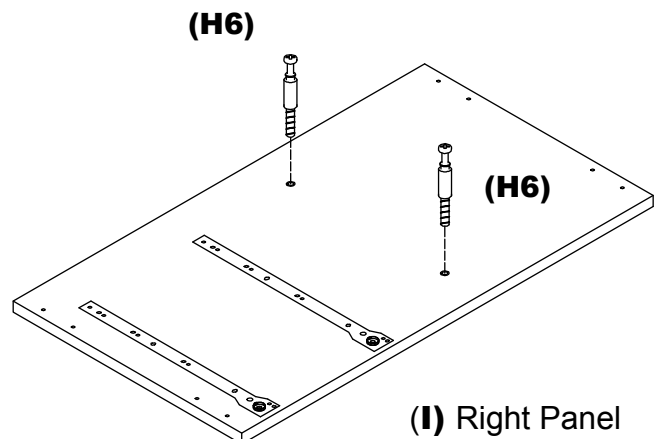
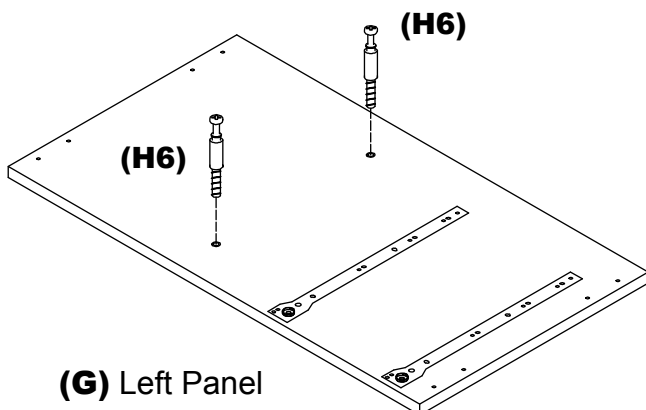
(G) Left Panel



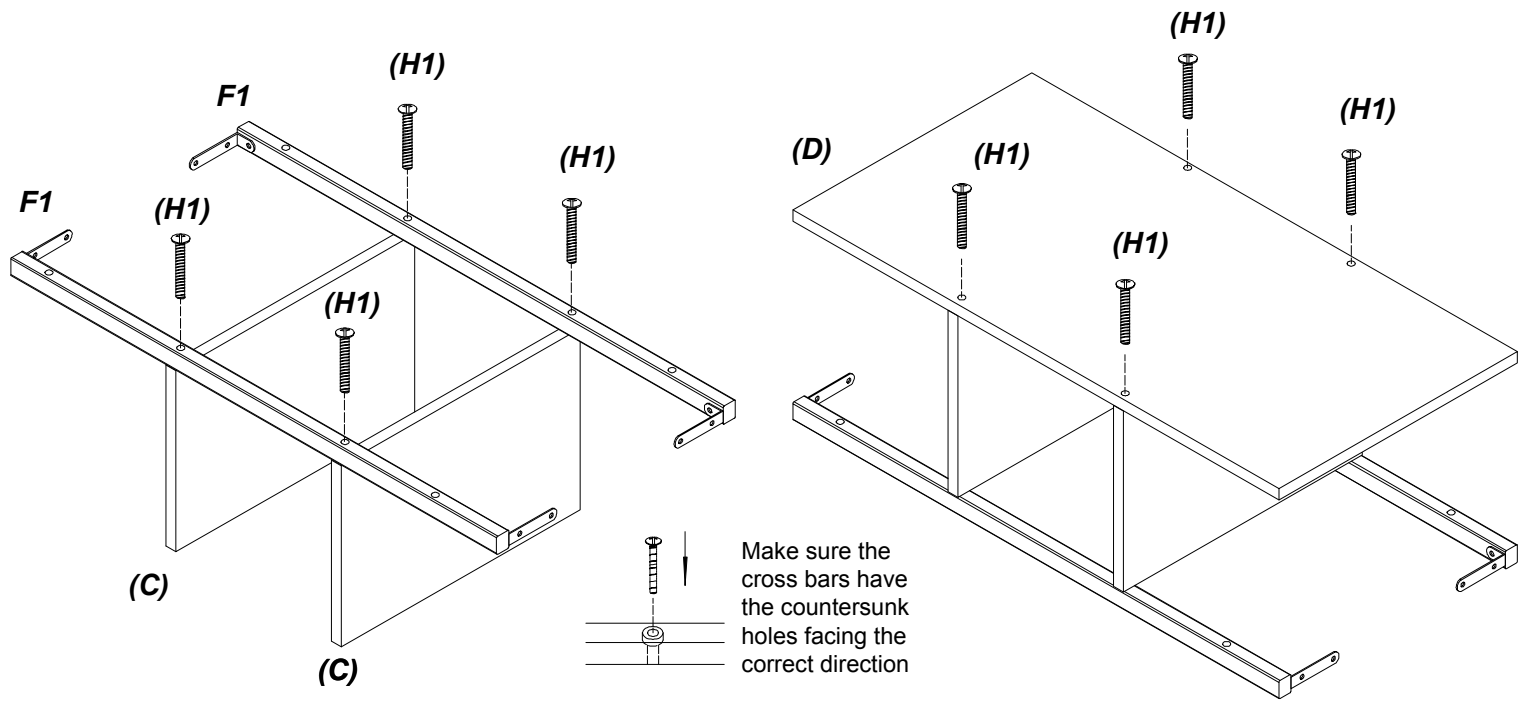
(I) Right Panel



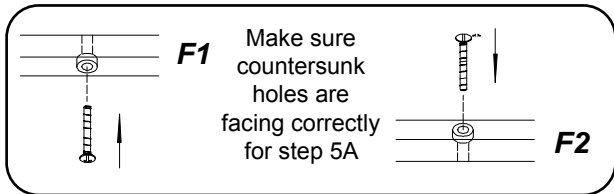
3.) Attach Cam bolts "H6" to the panels



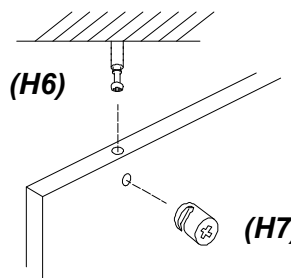
4.) Attach Cross Bars (F1 & F2) and Shelf (D) to the Supports (C)



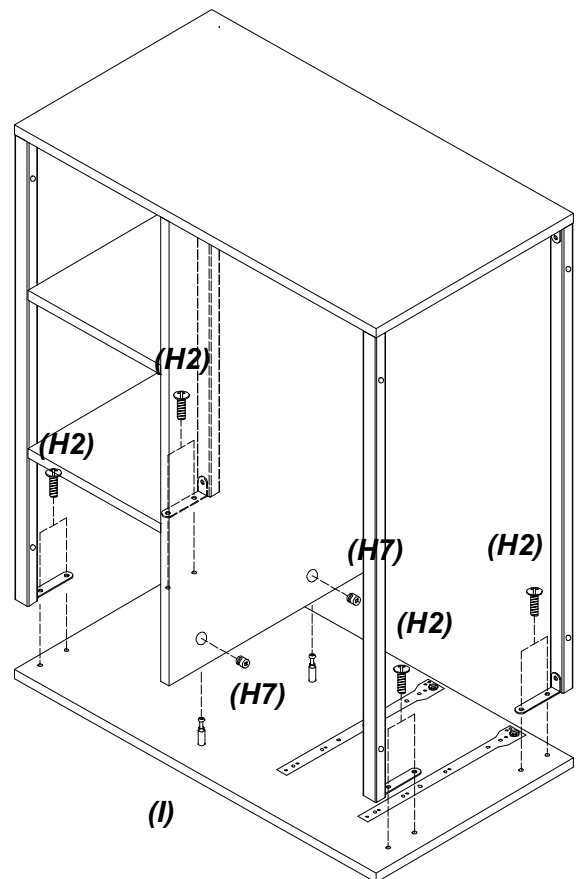
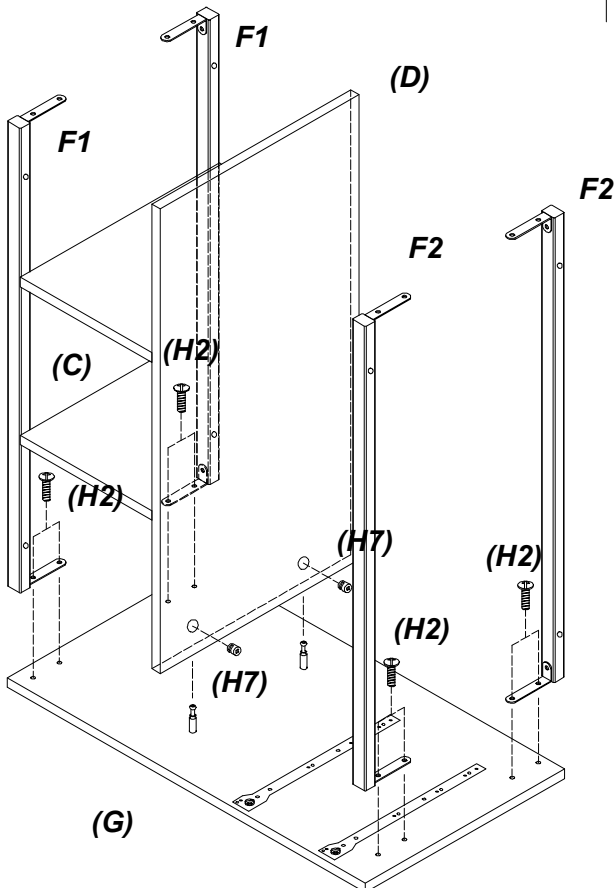
5.) Attach Left and Right Panels To Shelf Assembly



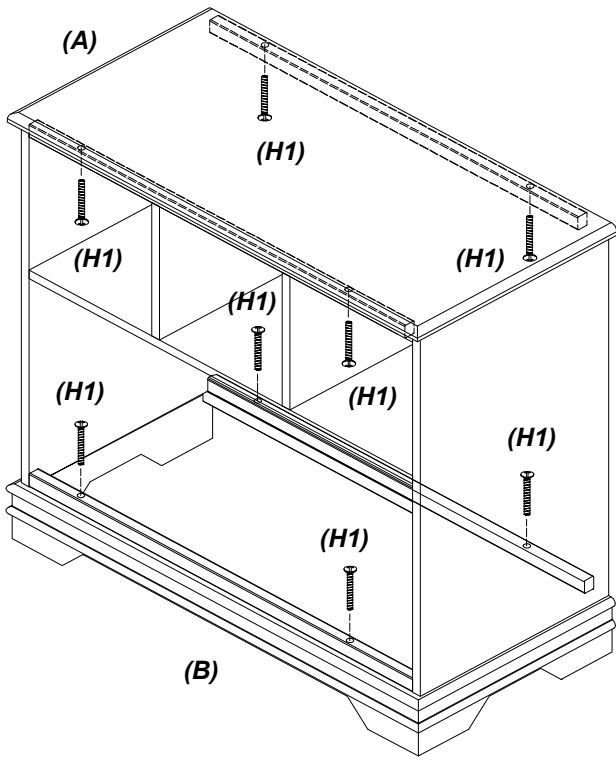
5A.) First attach the Left Panel



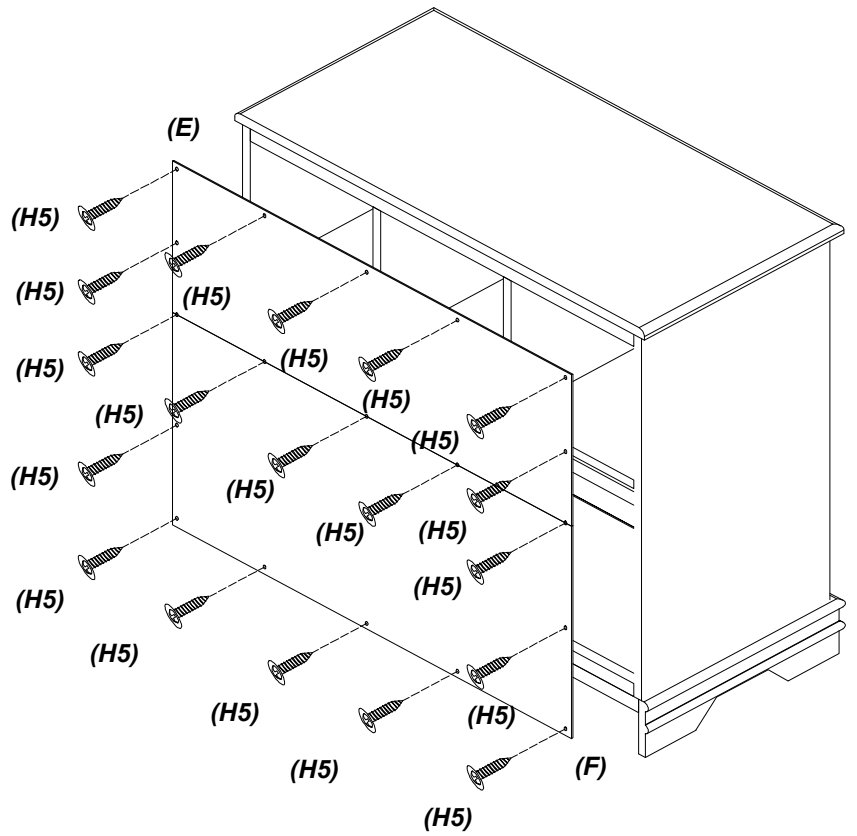
5B.) Then attach the Right Panel



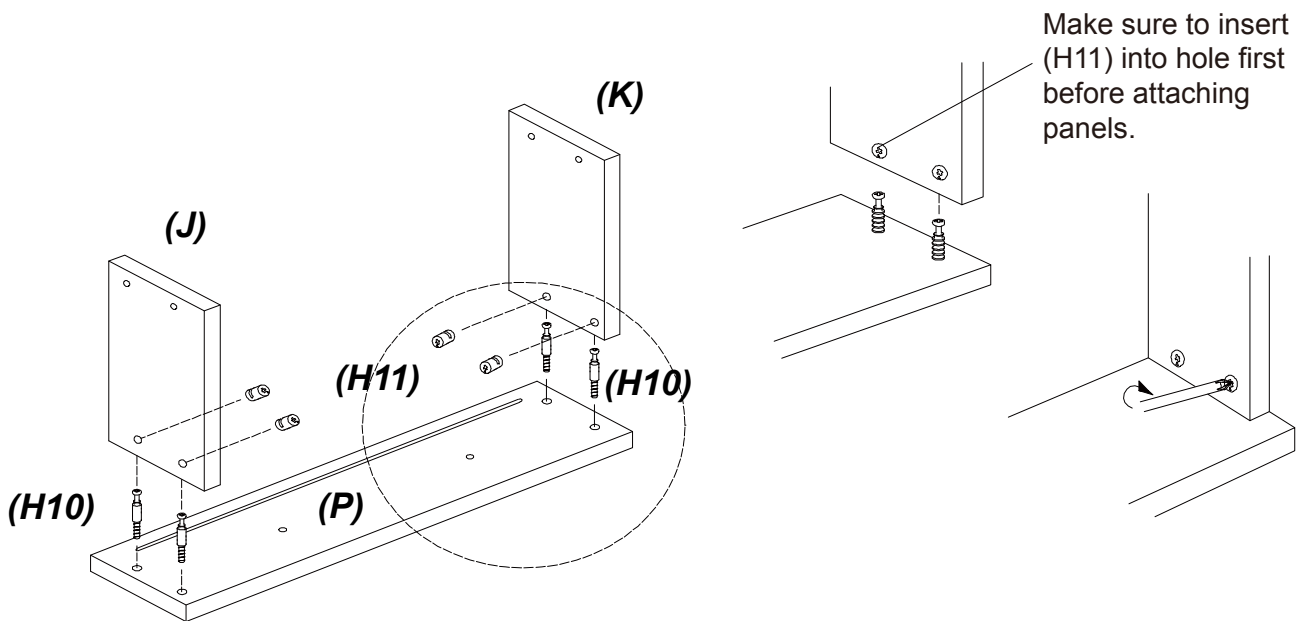
6.) Attach Dresser Top and Base

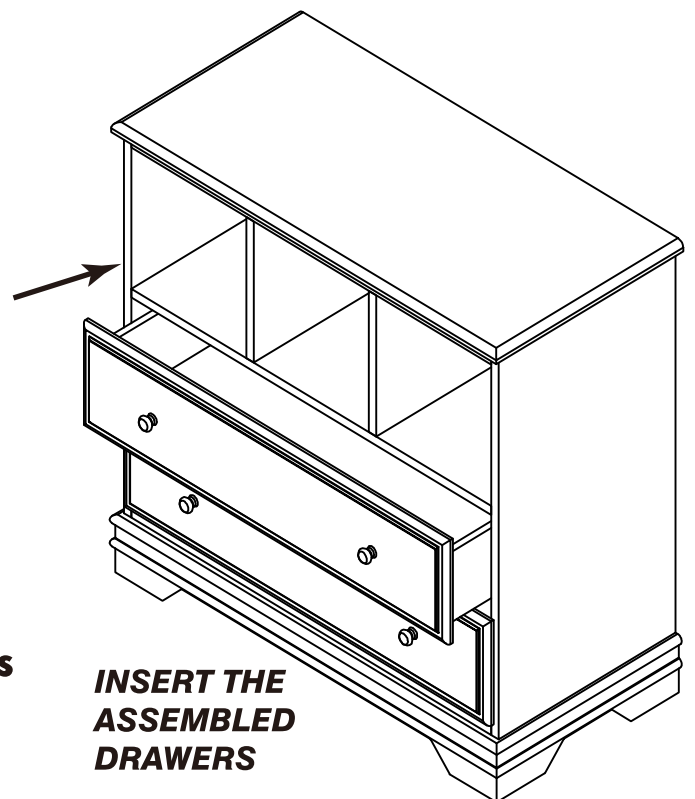
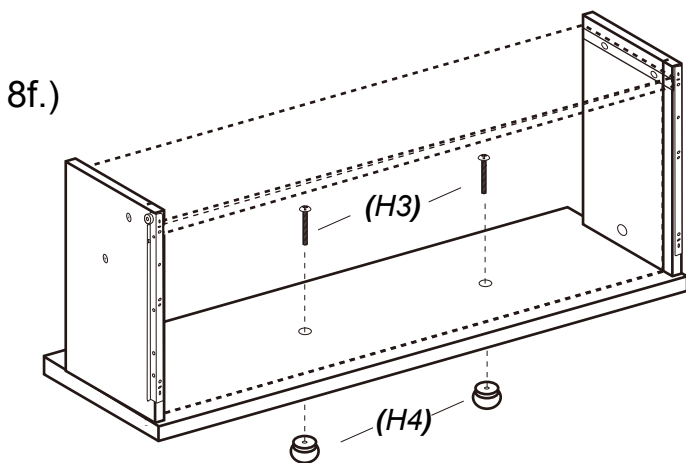
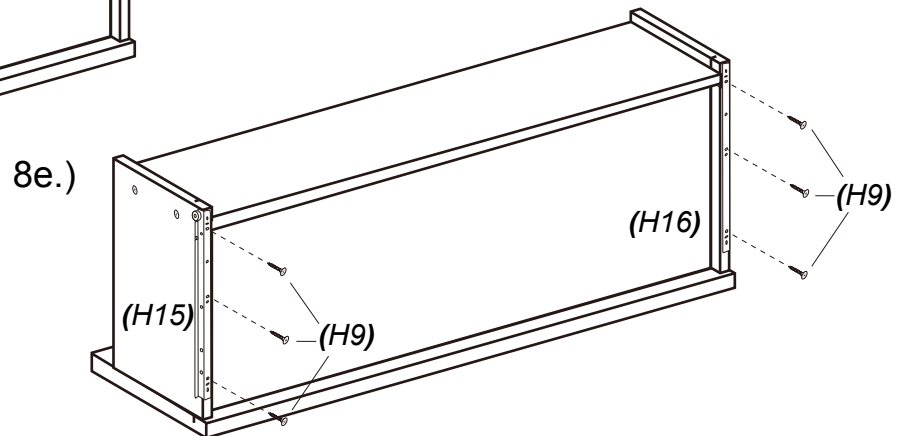
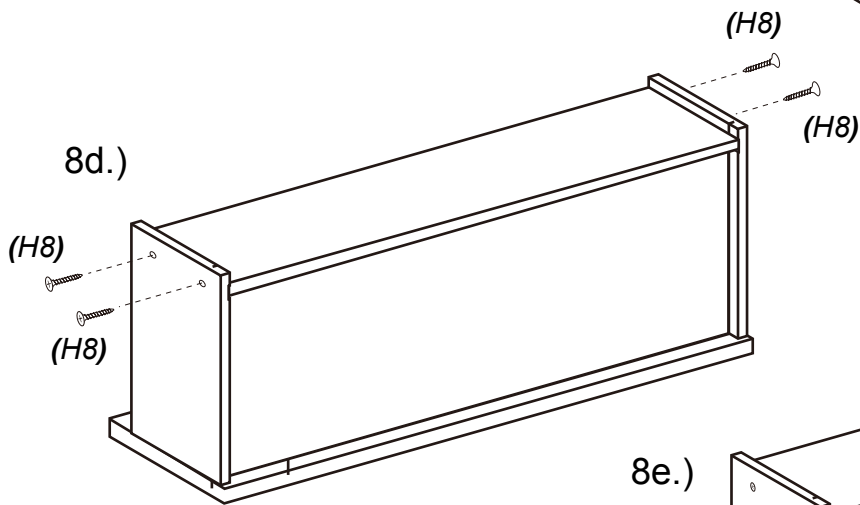
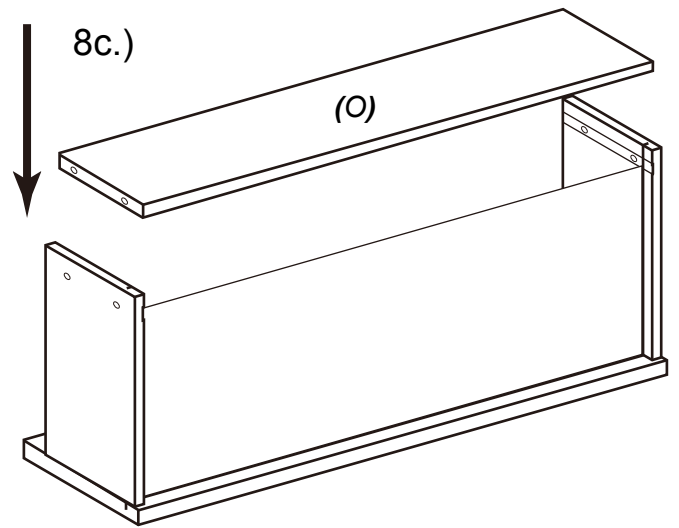
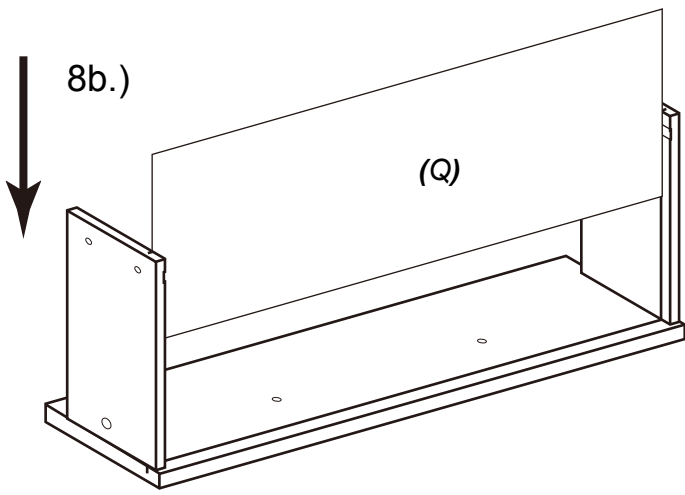


7.) Attach Back Panels



8.) Drawer Assembly.





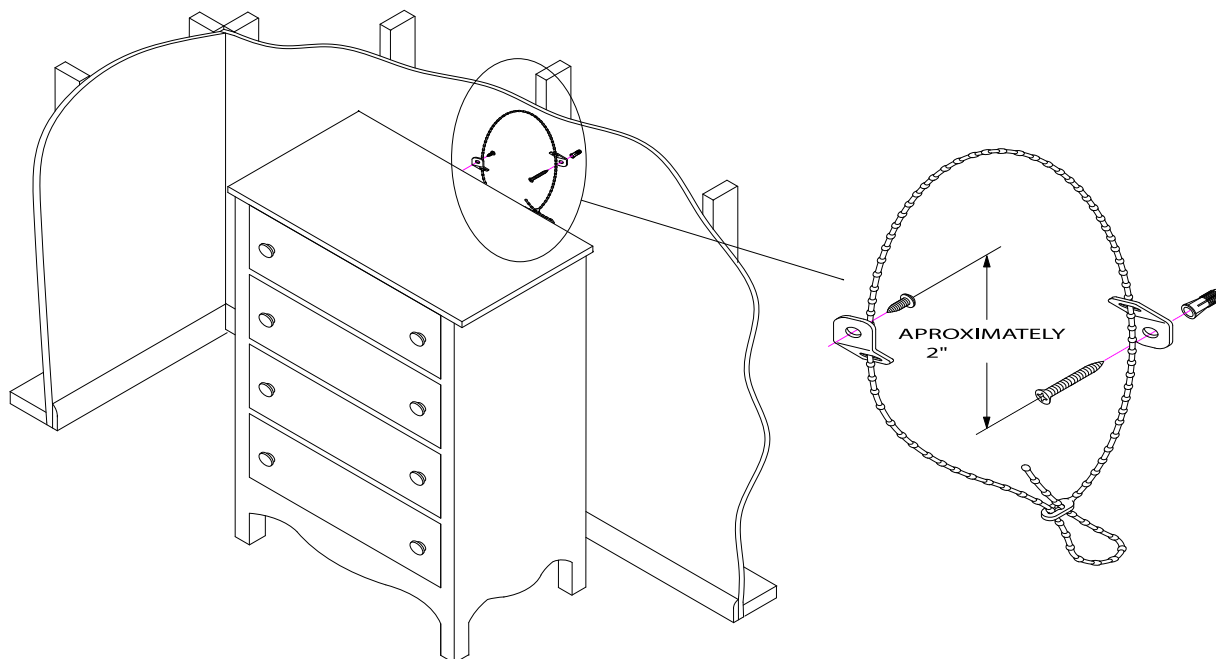
IMPORTANT: As with all infant and baby furniture, it is important to check fasteners, screws, and bolts periodically for tightness. Do not over-tighten.

This item has a manufacturer's limited one year warranty. Visit our website www.nurserysmart.com for more information.

Furniture Tip Kit Installation Instructions

Young children may be injured by tipping furniture and the use of a tipping restraint is highly recommended. This hardware, when properly installed, could provide protection against unexpected tipping of furniture due to improper use.

!!WARNING!!: THIS PRODUCT IS ONLY A DETERRENT. IT IS NOT A SUBSTITUTE FOR PROPER ADULT SUPERVISION.



1. Attach one of the mounting brackets securely to the back edge of the furniture. Use the shorter screws.
2. Determine where furniture is to be placed and mark location on the wall for the mounting bracket screw hole approximately 2" below the bracket mounted to the edge of the furniture.
3. Drill a 3/16" hole in the wall. Press the plastic anchor into the hole and gently tap until the flange on the anchor is against the wall surface.
4. Position the bracket over the anchor and use the longer screw to securely attach the bracket to the wall.
5. Place the furniture so the bracket on the back edge is in line with the bracket on the wall.
6. Lace an end of the nylon restraint strap down through each bracket. Bring both ends together and slide the beaded end of the strap through the keyhole shaped slot in the other end until snug. Pull down on the beaded end until it snap-locks into the keyhole slot.
7. To double lock, return the beaded end back through the keyhole as shown.
8. Check to make sure the strap is securely laced and locked to the bracket.